

CNS Series - Cupro-Nickel Solar Range Pool Heat Exchangers

The market for Solar Thermal Heating has grown annually by 30+ percent in North America over the last 5 years as energy prices have continued to climb.

This growth rate is even higher among pool owners who have to deal with large heating bills and need to find ways to reduce costs.

The Solar Market has grown substantially to the point where a sizeable percentage of pool owners are now heating their pools indirectly with solar panels.

Solar heating of swimming pools is unique and differs in a number of ways from other heating methods. These systems run at their peak efficiency at temperatures lower than other indirect heat sources.

In order to maximize solar harvesting the CNS Series Cuoro-Nickel Solar Range of Pool Heat Exchangers are constructed with longer tube bundles to increase the retention time.

These units are available in capacities ranging from 82,000 Btu/hr to 600,000 Btu/hr (at 158F).



Shown: CNS200. 200,000 btu/hr capacity

Features

- High Efficiency
- Compact Design
- Sturdy Construction
- Removable Tubestacks
- Quick Delivery from Stock

Applications

- Solar Heating of Pools, Spas, and hot tubs
- Geothermal Pool Heating
- Domestic hot water
- Sea water applications
- Waste water heat recovery

Standard Material

- Tube side (Pool Water): Cupro Nickel
- Shell Side (Boiler Water) Bronze or Cast Iron

Maximum Pressure

- Hot Side: 6 barg (87psig)
- Cold Side: 6 barg (87psig)

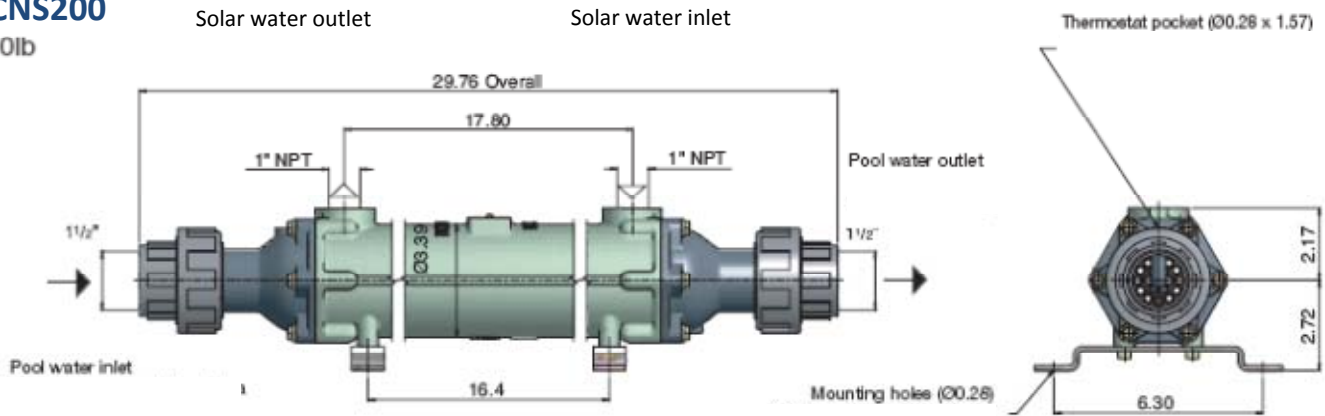
Maximum Temperature

- 100 Deg. C



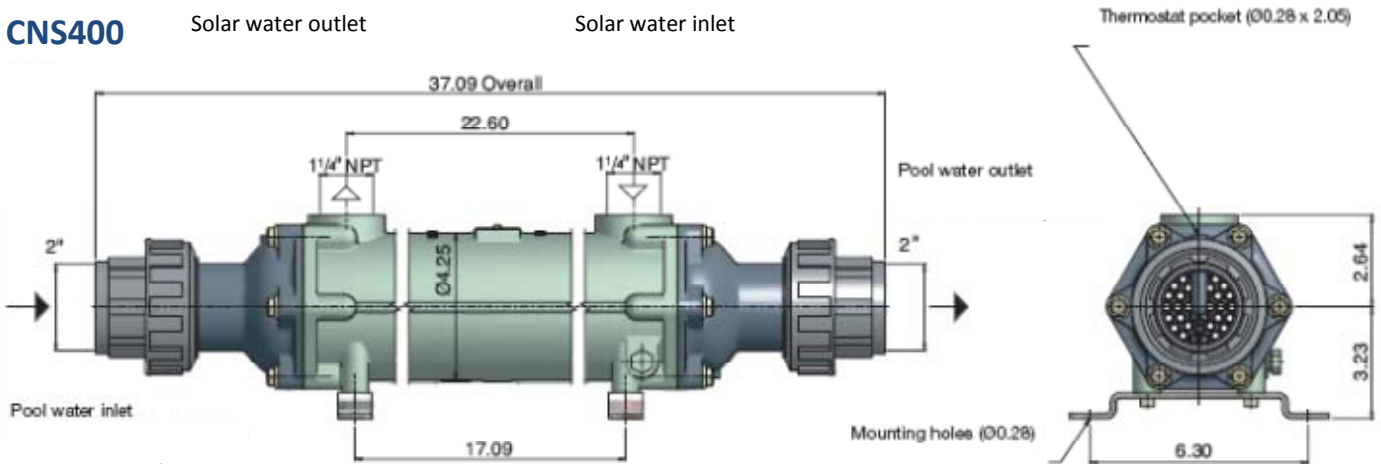
CNS200

20lb

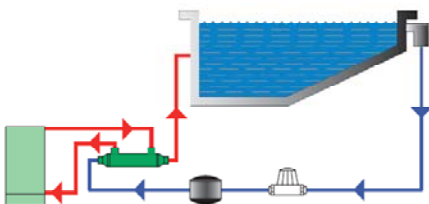


CNS400

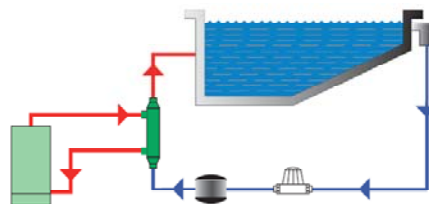
40lb



Horizontal Installation



Vertical Installation



Capacity

CNS200	200,000 BTU/Hr*
CNS400	400,000 BTU/Hr*

Quick Sizing Reference **

CNS200	- for pools up to 23,000 US Gallons*
CNS400	- for pools up to 46,000 US Gallons*

* Based on glycol temperature at 180°F

** Based on pool temperature at 84°F



Manufactured under ISO 9001-2008 quality guidelines

Stocking Distributors for North America

Telephone Toll Free North America and Canada: 1-877-751-9414

70 Esna Park Drive, Unit 3
Markham, ON L3R 6E7
Tel: 905-940-0961
Fax: 905-940-0983

VALUTECH
Meeting Process Industry Needs

Email: info@valutechinc.com

www.valutechinc.com